

## PV48W Series Vacuum Pressure Switches

The PV48W series offers highly accurate and repeatable switching for monitor/control and alarm/shut down protection. These units, designed specifically for high purity gas or liquid systems are vented to ambient conditions for sensing pressure below (Vacuum) ambient.



### Features

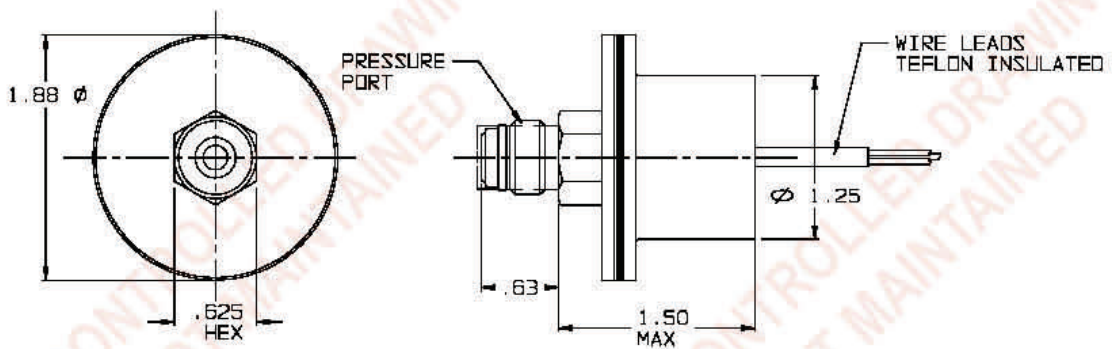
- Tamper proof (factory) setting
- Wetted materials in VIM-VAR 316L, Inconel and Hastelloy C-276
- Electron-beam welded construction
- Negative-rate bellville spring design provides longer life, accuracy and repeatability

### Specifications

Medium	Gas or Liquid
Type	Factory Set
Available Settings	10 to 150 mm Hg VAC
Actuation Value	20mm Hg + 5% of Setting
Repeatability	± 5mm Hg + 2% of Setting
*Internal Volume	2.22 CC
**Proof Pressure	0 psia - 15 psig
Operating Temp. Range	0° to 130° F (-18°C to 55°C)
Finish	10 or 5 Ra
Wetted Materials	316L VIM/VAR or Hastelloy
Media Connections	1/4" end seal type
Electrical Connections	Free Leads, Crimp Type Connectors or 9 pin D-sub Connector
Min. Operating Life	1 Million cycles
Approvals	UL, CE
Warranty	36 Months
*With 1/4" male end seal type	
**Higher Proof pressure available	

## PV48W Series Vacuum Pressure Switches

### Dimensional Drawings



**PV48W SERIES**